


22260726	DATA SHEET	
Valid from: 11.06.2024	AB-C8-(L*)PUR-M12FS	

Product description

- Sensor/actuator cable, 8-pol, PUR halogen-free, black
- Straight M12-jack on free conductor end



General characteristics

Number of pins	8
Ambient temperature	-25 °C to +90 °C (-13°F to 194°F) (plug / jack) -40 °C to +80 °C (-40°F to 176°F) (cable, fixed installation) -25 °C to +80 °C (-13°F to 176°F) (cable, movable installation)
Degree of protection	IP65 / IP67 / IP68
Coding	A-standard
Tightening torque	0,4 Nm (M12-connector)
Plugging cycles	≥ 100

Variation

Article number	Description	Length [m]	Configuration
22260726	AB-C8-2,0PUR-M12FS	2	straight
22260728	AB-C8-5,0PUR-M12FS	5	straight
22260729	AB-C8-10,0PUR-M12FS	10	straight
22262186	AB-C8-15,0PUR-M12FS	15	straight

Additional note

Data sheet also valid for variant lengths. Other lengths on request.

Electrical properties

Rated voltage	30 V
Rated current at 40 °C	2 A
Overvoltage category	II
Pollution degree	3

Mechanical properties


Jack

Inflammability class in accordance with UL 94	HB
Contact, material	CuSn
Contact carrier, material	TPU GF
Contact surface, material	Ni/Au
Knurl, material	Zinc diecasting, nickel-plated
Handle, material	TPU, flame retardant, self-extinguishing
Sealing, material	NBR

Line

Cable construction	8 x AWG24/32
Signal line, construction	32 x 0,1 mm

Creator: THLE3/PDP Released: FEL11/PDP	Document: DB22260726EN Version: 03	Page 1 of 3
---	---------------------------------------	-------------

22260726	DATA SHEET	
Valid from: 11.06.2024	AB-C8-(L*)PUR-M12FS	

Conductor cross-section	0,25 mm ²
Conductor diameter including isolation	1,17 mm ± 0,02 mm
Cable outer diameter D	5,9 mm ± 0,15mm
Insulation color	brown, white, green, yellow, grey, pink, blue, red
Sheath color	grey-black, RAL 7021
Number of bending cycles	4.000.000
Bending radius	59 mm
Traveling distance	10 m
Traveling speed	3 m/s
Acceleration	10 m/s ²
Cable weight	46 kg/km
Outer coating, material	PUR
Wire insulation, material	PP
Insulation resistance	≥ 1 GΩ*km
Conductor resistance	≤ 78 Ω/km
Characteristic impedance	100 Ω + 15 % (bei 1 MHz)
Flame resistance	acc. to UL-Style 20549
Halogen-free	acc. to DIN VDE 0472 Part 815
Oil resistance	acc. to DIN EN 60811-2-1
Other resistances	good resistant to acids, lyes and solvents resistant to hydrolysis and microbes limited UV resistance acc. to DIN EN ISO 4892-2-A suitable for drag chains, silicone-free

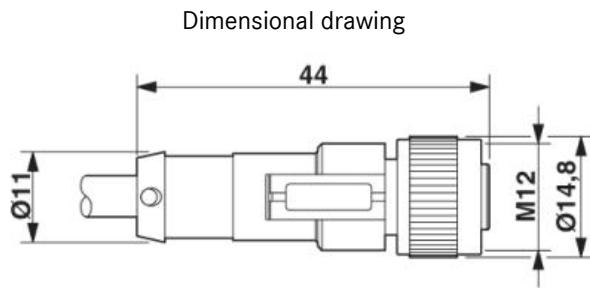
Standards/Approvals

Product standard, M12 connector	IEC 61076-2-101
UL-Listed, E-File	E249137

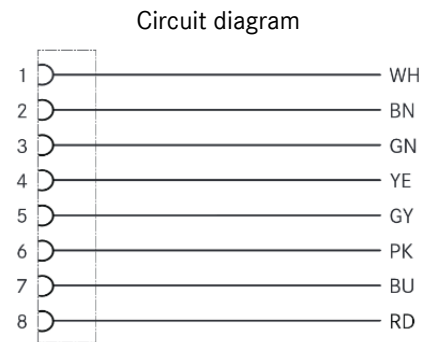
Creator: THLE3/PDP Released: FELI1/PDP	Document: DB22260726EN Version: 03	Page 2 of 3
---	---------------------------------------	-------------

22260726	DATA SHEET	
Valid from: 11.06.2024	AB-C8-(L*)PUR-M12FS	

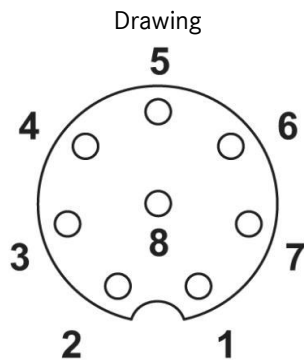
Technical drawing



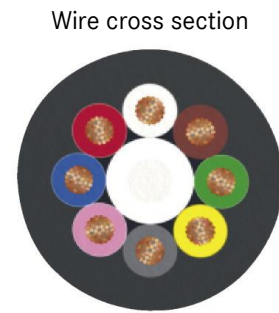
Jack M12 x 1, straight



Pin assignment M12-jack



Pin assignment M12-jack, 8-pol, A-coding



Application range

For increased mechanical load and rough operating conditions

Note

Photographs are not true to scale and do not represent detailed images of the respective products.

Creator: THLE3/PDP Released: FELI1/PDP	Document: DB22260726EN Version: 03	Page 3 of 3
---	---------------------------------------	-------------