


52108020	<b>DATA SHEET</b>	
Valid from: 07.04.2026	<b>SKINDICHT® SE-M 32x1,5</b>	

The SKINDICHT® SE-M is a die-cast zinc cable and wire entry with a 90° flange angle, including a incised sealing ring and a set screw.



### Components:

Angular housing	Zinc die-casting, grey, hammer-tone enamelled
Pressure screw	Brass, nickel plated
Pressure washer	Steel, zinc-plated
Incised sealing ring	CR
Sleeve	PE
O-Ring	NBR


### Technical Features:

Connecting thread	M32x1.5 acc. to EN 60423
Temperature range	-20 °C up to +80 °C
Protection class	IP55 acc. to EN 60529
Surface	structured finish, colour RAL 7001

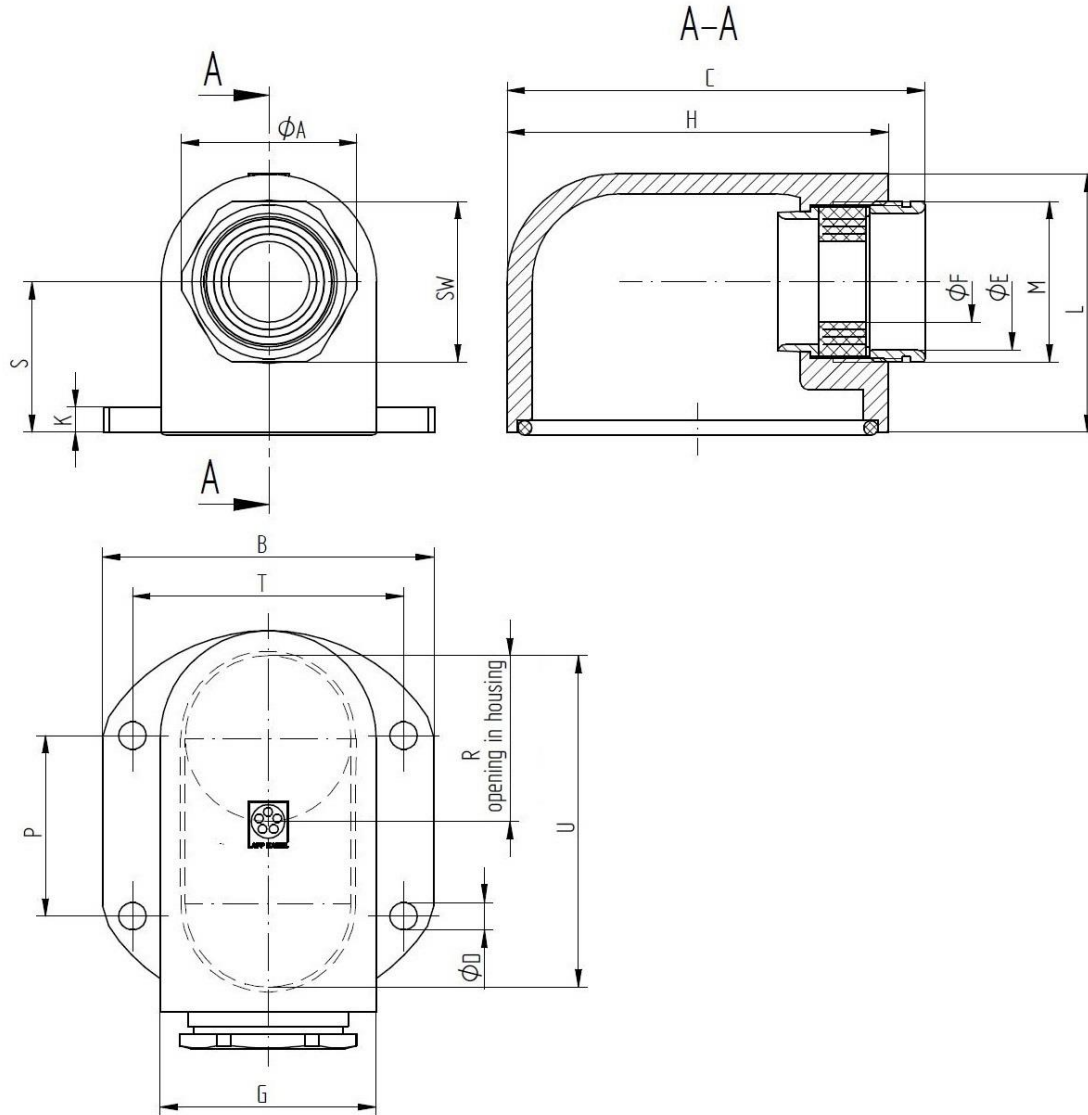
### Norm references:



Creator: STKU3 Released: DAMU1	Document: DB52108020EN Version: 00	Page 1 of 2
-----------------------------------	---------------------------------------	-------------

52108020	<b>DATA SHEET</b>	
Valid from: 07.04.2026	<b>SKINDICHT® SE-M 32x1,5</b>	

### SKINDICHT® SE-M M32x1.5



M	SW	$\phi_A$	B	C	$\phi_D$	$\phi_E$	$\phi_F$	G	H	K	L	P	R	S	T	U	Article No.
M32x1,5	32	35,2	66	84,2	5,5	27,2	16 / 19 / 22 / 25	43	76	5	51,5	36	33	30	54	66	52108020

Dimension units: **mm**

For more information please see our current catalogue. Please do not hesitate to contact our laboratory if there are any questions regarding resistance against aggressive agents and special oil.

**Remark**

Photographs are not to scale and do not represent detailed images of the respective products.

Creator: STKU3 Released: DAMU1	Document: DB52108020EN Version: 00	Page 2 of 2
-----------------------------------	---------------------------------------	-------------