

79155400	DATA SHEET	
Valid from: 14.11.2025	EPIC® H-B 24 TGBH/TSBH	

Description

- The standard for housings. Large selection of different inserts.
- Easy-to-grip, user-friendly design makes it easy to plug and unplug the connector.



General Characteristics

Series	H-B 24
Locking	double lever
Cable entry	top / side
Protection (DIN EN 60529)	IP 65 (latched)
Protection (NEMA 250, UL50E)	4, 12 (latched)
Temperature Range	-40°C to +125°C

Materials and Surfaces

Housing	aluminium alloy, powder-coated, grey
Lever	steel, zinc-plated

Approvals

UL-Approval, E-File-Number	E75770
----------------------------	--------

Standard

Safety Standard	IEC 61984
-----------------	-----------

Versions

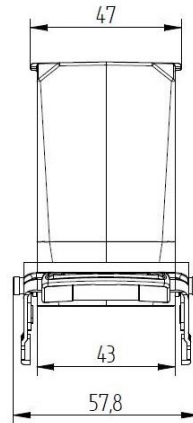
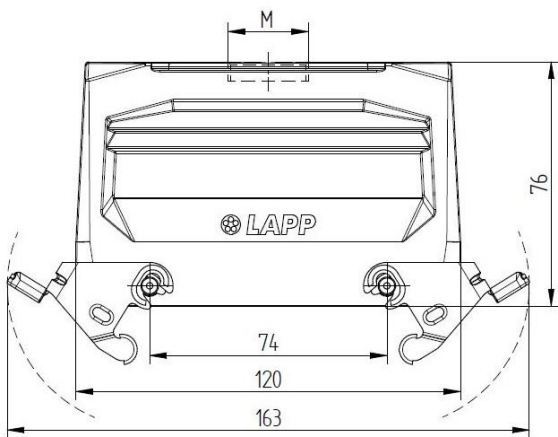
Article number	Article description	Thread M	Cable entry
79155400	EPIC® H-B 24 TGBH M25	M25x1,5	top
79155600	EPIC® H-B 24 TGBH M32	M32x1,5	top
79157400	EPIC® H-B 24 TSBH M25	M25x1,5	side
79157600	EPIC® H-B 24 TSBH M32	M32x1,5	side

Creator: TODV1/BU EPIC Released: MAJU/BU EPIC	Document: DB79155400EN Version: 02	Page 1 of 2
--	---------------------------------------	-------------

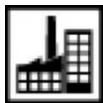
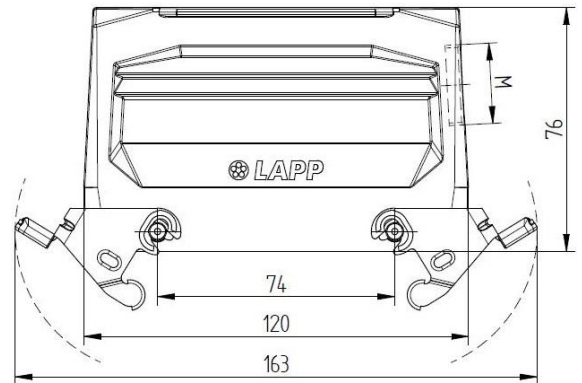
79155400	DATA SHEET	
Valid from: 14.11.2025	EPIC® H-B 24 TGBH/TSBH	

Technical Drawings

Top cable entry



Side cable entry



Industrial machinery and plant engineering



Mechanical resistance



Robust



Waterproof



Automation

Info

Universal, robust metal housings size H-B 24

Application range

Plant engineering, Light & sound technology, Plastics industry

Remark

Photographs are not to scale and do not represent detailed images of the respective products.

Creator: TODV1/BU EPIC Released: MAJU/BU EPIC	Document: DB79155400EN Version: 02	Page 2 of 2
--	---------------------------------------	-------------