

| | | |
|---------------------------|------------------------------|---|
| 53110053 | DATA SHEET |  |
| Valid from: 17.08.2023 | SKINTOP® CLICK L-BOXX | |

The SKINTOP® CLICK L-BOXX is a storage box including SKINTOP® CLICK cable glands and disassembly tools. This product consists of a wide variety of cable glands in small packaging units.

The included SKINTOP® CLICK cable glands have wide, variable clamping ranges and a snap-system which enables a very fast and easy installation and removal. A threaded hole in the control cabinet/housing is not necessary.



Components:

| | |
|---------------------|-------------------------------|
| Box (corpus, cover) | ABS, PC |
| Cable glands | Corpus: PA Seal: Elastomer |

Technical features:

| | |
|-------------------------------------|--|
| Dimensions of box (WxDxH) | 445mm x 358mm x 118mm |
| Connecting diameter of cable glands | Ø12 bis Ø32 |
| Protection class of cable glands | Size Ø12: IP68 – 4bar/30min acc. to EN 60529 Size Ø16 up to Ø25: IP68 – 5bar/30min acc. to EN 60529 Size Ø32: IP68 – 1bar/30min acc. to EN 60529 All Sizes: Type 1 and Type 12, acc. to UL50E |
| Strain relief of cable glands | Categories A acc. to EN 62444 |
| Temperature range | Box: -20°C up to +80°C Cable gland: -20°C up to +100°C (dynamic) -40°C up to +100°C (static) |

Norm references:




Approvals: (Cable glands)



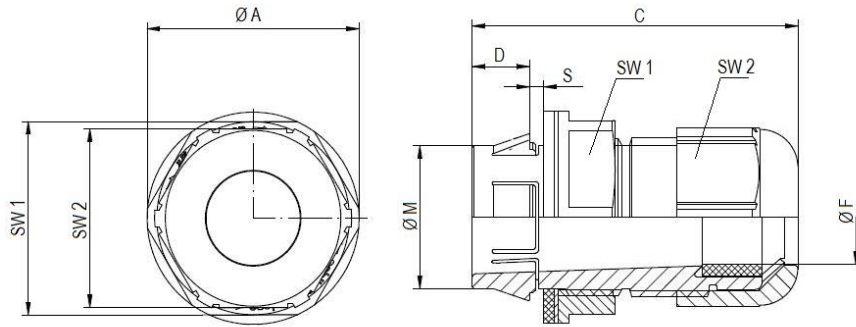
Article List:

| Article number | Article designation | Article characteristic |
|----------------|-----------------------------|---------------------------|
| 53110053 | SKINTOP® CLICK L-BOXX (SGY) | Cable glands RAL 7001 SGY |
| 53110054 | SKINTOP® CLICK L-BOXX (LGY) | Cable glands RAL 7035 LGY |
| 53110055 | SKINTOP® CLICK L-BOXX (BK) | Cable glands RAL 9005 BK |

| | | |
|---|---------------------------------------|-------------|
| Creator: MOME3/PDP Released: DAMU1/PDP | Document: DB53110053EN Version: 01 | Page 1 of 2 |
|---|---------------------------------------|-------------|

| | | |
|---------------------------|------------------------------|---|
| 53110053 | DATA SHEET |  |
| Valid from: 17.08.2023 | SKINTOP® CLICK L-BOXX | |

SKINTOP® CLICK



| Size | Ø M [mm] Installation hole | SW1/ SW2 [mm] | Ø A [mm] | C [mm] | D [mm] | Ø F [mm] Clamping range | S [mm] Wall thickness | Article No. | | | Quantity per box |
|------|-------------------------------|------------------|----------|--------|--------|----------------------------|--------------------------|-------------|----------|----------|------------------|
| | | | | | | | | RAL 7001 | RAL 7035 | RAL 9005 | |
| Ø 12 | Ø 12,3 ^{-0,2} | 18 / 15 | 20,0 | 40 | 8 | 4,5-7 | 1-4 | 53112921 | 53112692 | 53112923 | 25 |
| Ø 16 | Ø 16,3 ^{-0,2} | 22 / 19 | 24,2 | 42 | 8 | 5-9 | 1-4 | 53112876 | 53112686 | 53112882 | 50 |
| Ø 20 | Ø 20,3 ^{-0,2} | 27 / 25 | 29,7 | 45 | 8 | 7-13 | 1-4 | 53112877 | 53112687 | 53112883 | 25 |
| Ø 25 | Ø 25,3 ^{-0,2} | 32 / 30 | 35,2 | 48 | 8 | 9-17 | 1-4 | 53112878 | 53112688 | 53112884 | 25 |
| Ø 32 | Ø 32,3 ^{-0,2} | 40 / 36 | 44,0 | 56 | 8 | 11-20 | 1-4 | 53112922 | 53112694 | 53112924 | 5 |

For more information, please see our current catalogue. Please do not hesitate to contact our laboratory if there are any questions regarding resistance against aggressive agents and special oil.

| | | |
|---|---------------------------------------|-------------|
| Creator: MOME3/PDP Released: DAMU1/PDP | Document: DB53110053EN Version: 01 | Page 2 of 2 |
|---|---------------------------------------|-------------|