

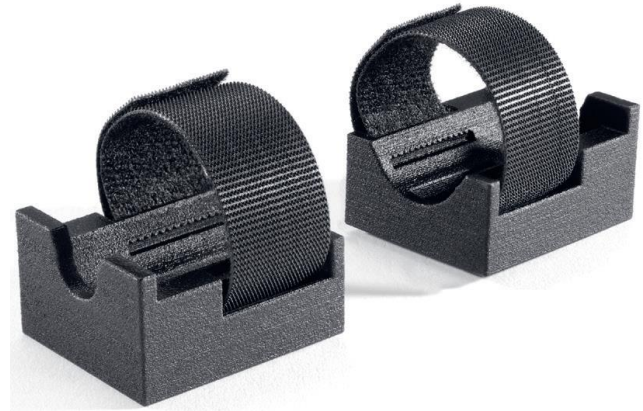
44420568	DATA SHEET
Valid from: 12.06.2024	M12, M17, M23 CONNECTOR HOLDER BIG

Product description

The Big plug holder for direct mounting serves as an installation aid for the secure fastening of industrial plug connections. It is designed for plugs with a certain dimensional range, such as M12, M17 and M23 plugs. For dimensions see technical drawings:

Two holders are mounted with one M6 socket head screw each in such a way that the plug connection used can be placed between the stop plates of the holders without play. Then the Velcro tape is placed around the connector, passed through the channel in the connector holder and tightened.

To facilitate exact alignment of the plug holders, the holder has an integrated alignment aid on the underside. This plunges into an optional second hole on the mounting surface with a diameter of 3 mm. If this bore hole is omitted, the alignment aid simply disappears in the holder when mount.



Material

Holder

PA glass fibre reinforced UL 94 V0

Velcro strap

PP UL 94 V2

Technical feature

Connector

M12/M17/M23

Weight

39 g

Temperature range

-40 °C up to +80 °C

Clamping Range

Ø 18 mm – Ø 26 mm

Minimal length of the “flying” connection

78 mm

Additional features

Halogen-free

free from halogen

Silicone content

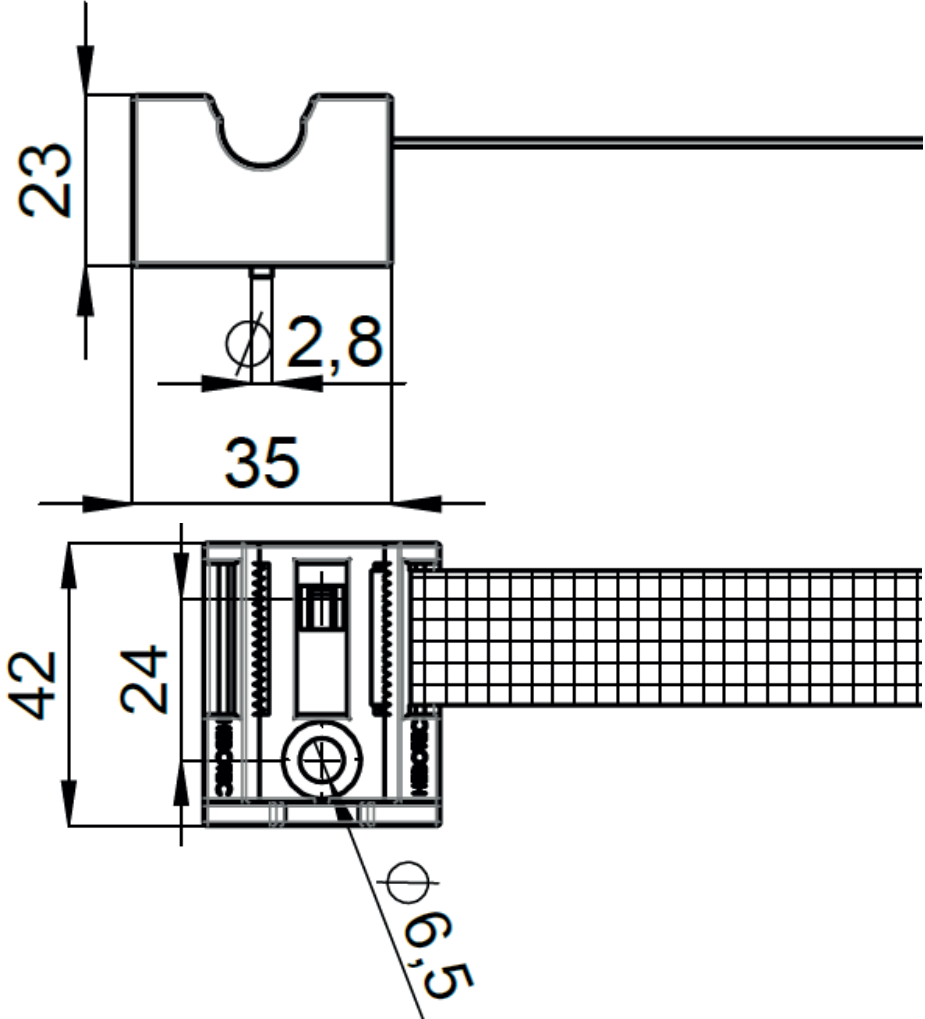
free from silicone

Colour

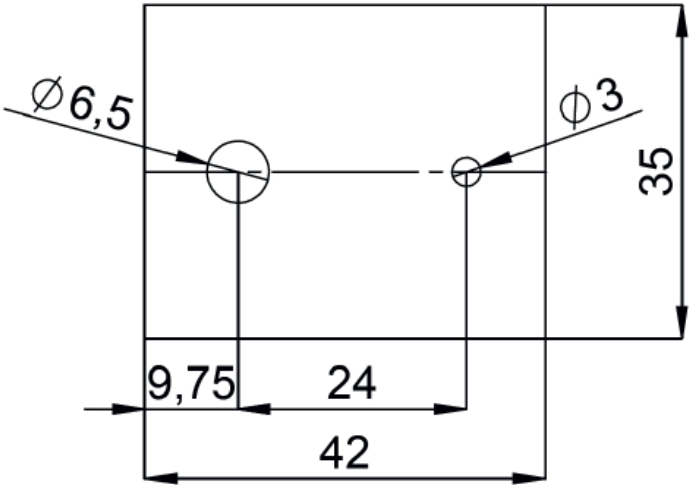
Black

44420568	DATA SHEET
Valid from: 12.06.2024	M12, M17, M23 CONNECTOR HOLDER BIG

Technical drawings



Hole pattern



Remark

Photographs are not to scale and do not represent detailed images of the respective products.