


19080900	DATA SHEET	
Valid from: 08.10.2025	EPIC® H-B 16 TG-RO/TS-RO	

Description

- The standard for housings. Large selection of different inserts.
- Easy-to-grip, user-friendly design makes it easy to plug and unplug the connector.



General Characteristics

Series	H-B 16
Locking	pins for single lever
Cable entry	top / side
Protection (DIN EN 60529)	IP 65 (latched)
Protection (NEMA 250, UL50E)	12 (latched)
Temperature Range	-40°C to +125°C

Materials and Surfaces

Housing	aluminium alloy, powder-coated, grey
---------	--------------------------------------

Approvals

UL-Approval, E-File-Number	E75770
----------------------------	--------


Standard

Safety Standard	IEC 61984
-----------------	-----------

Versions

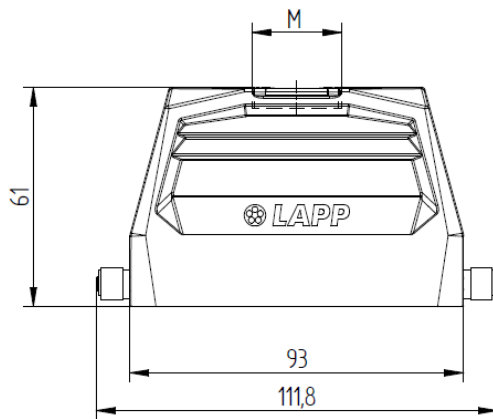
Article number	Article description	Thread M	Cable entry
19080900	EPIC® H-B 16 TG-RO M25	M25x1,5	top
19082900	EPIC® H-B 16 TS-RO M25	M25x1,5	side
19092900	EPIC® H-B 16 TS-RO M32	M32x1,5	side

Creator: TODV1/BU EPIC Released: THBO1/BU EPIC	Document: DB19080900EN Version: 03	Page 1 of 2
---	---------------------------------------	-------------

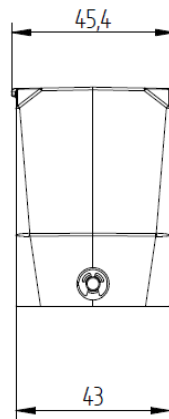
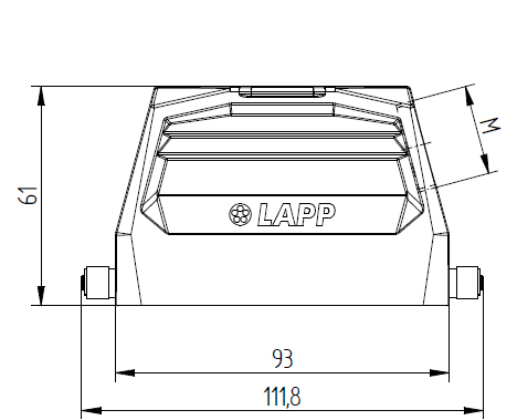
19080900	DATA SHEET	
Valid from: 08.10.2025	EPIC® H-B 16 TG-RO/TS-RO	

Technical Drawings

Top cable entry



Side cable entry



Industrial machinery and plant engineering



Mechanical resistance



Robust



Waterproof



Automation

Info

Universal, robust metal housings size H-B 16

Application range

Plant engineering, Light & sound technology, Plastics industry

Remark

Photographs are not to scale and do not represent detailed images of the respective products.

Creator: TODV1/BU EPIC Released: THBO1/BU EPIC	Document: DB19080900EN Version: 03	Page 2 of 2
---	---------------------------------------	-------------