


10102000	<b>DATA SHEET</b>	
Valid from: 15.06.2026	<b>EPIC® H-B 24 AG</b>	

## Description

- Ideal for many applications due to a wide range of housings and inserts



## General Characteristics

Series	H-B 24
Version	Panel mount base
Locking	Double lever
Protection (DIN EN 60529)	IP 65 (latched)
Temperature Range	-40°C to +125°C

## Materials and Surfaces

Housing	Aluminium alloy, powder-coated, grey
Lever	Steel, zinc-plated
Sealing	NBR


## Approvals

UL File Number	In preparation
----------------	----------------

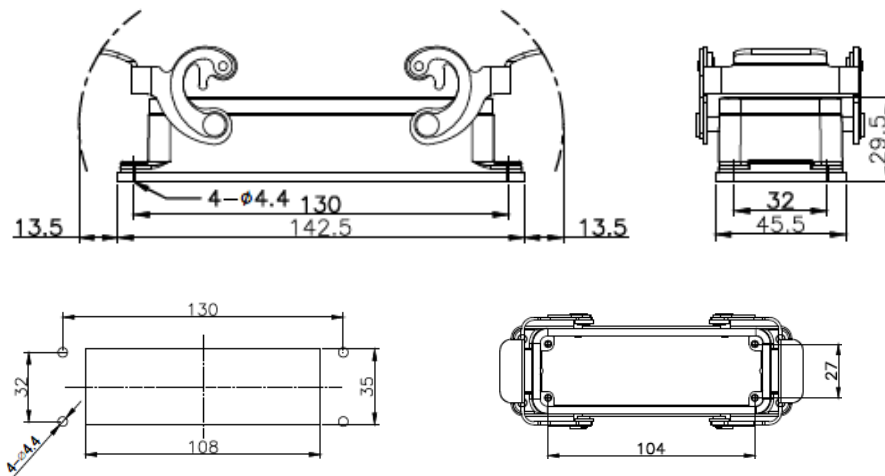
## Standard

Safety Standard	IEC 61984
-----------------	-----------

Creator: LEBU1 / PDP Released: THBO1 / PDP	Document: DB10102000EN Version: 02	Page 1 of 2
---	---------------------------------------	-------------

10102000	<b>DATA SHEET</b>	
Valid from: 15.06.2026	<b>EPIC® H-B 24 AG</b>	

## Technical Drawings



Automation



Industrial machinery and plant engineering



Mechanical resistance



Robust



Waterproof

## Info

Universal, robust metal housings size H-B 24

### Application range

Plant engineering  
Light & sound technology  
Plastics industry

### Remark

Photographs are not to scale and do not represent detailed images of the respective products.

Creator: LEBU1 / PDP Released: THBO1 / PDP	Document: DB10102000EN Version: 02	Page 2 of 2
---	---------------------------------------	-------------