


79110200	<b>DATA SHEET</b>	
Valid from: 12.06.2026	<b>EPIC® H-B 16 SGRH-LB</b>	

## Description

- The housing standard.
- Wide choice for all applications.



## General Characteristics

Series	H-B 16
Version	Surface mount base
Locking	Single lever
Cable entry	Side, see table
Protection (DIN EN 60529)	IP 65 (latched)
Temperature Range	-40°C to +125°C

## Materials and Surfaces

Housing	Aluminium alloy, powder-coated, grey
Lever	Steel, galvanized
Sealing	NBR

## Approvals

UL-Approval, E-File-Number	In preparation
----------------------------	----------------


## Standard

Safety Standard	IEC 61984
-----------------	-----------

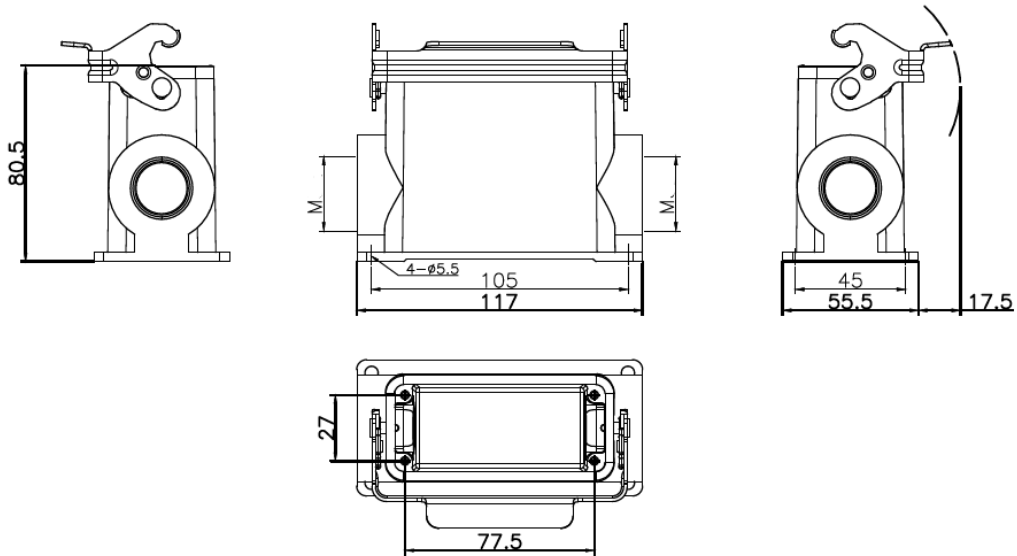
## Versions

Article number	Article description	Cable entry (right)	Cable entry (left)
79110200	EPIC H-B 16 SGRH-LB M25	M25	-
79110400	EPIC H-B 16 SGRH-LB M32	M32	-
79111200	EPIC H-B 16 SGRLH-LB M25	M25	M25
79111400	EPIC H-B 16 SGRLH-LB M32	M32	M32

Creator: THBO1/PDP Released: TODV1/PDP	Document: DB79110200EN Version: 02	Page 1 of 2
---	---------------------------------------	-------------

79110200	<b>DATA SHEET</b>	
Valid from: 12.06.2026	<b>EPIC® H-B 16 SGRH-LB</b>	

### Technical Drawings



Automation



Industrial machinery and plant engineering



Mechanical resistance



Robust



Waterproof

#### Info

Universal, robust metal housings size H-B 16

#### Application range

Plant engineering, Light & sound technology, Plastics industry

#### Remark

Photographs are not to scale and do not represent detailed images of the respective products.

Creator: THBO1/PDP Released: TODV1/PDP	Document: DB79110200EN Version: 02	Page 2 of 2
---	---------------------------------------	-------------