


52108021	<b>DATA SHEET</b>	
Valid from: 07.04.2026	<b>SKINDICHT® SE-M without E+D</b>	

The SKINDICHT® SE-M is a die-cast zinc cable and conduit entry with a 90° flange angle.

The version without E+D is supplied without an incised sealing ring and pressure screw. A separate cable gland is required.



### Components:

Angular housing	Zinc die-casting, nickel plated
Sleeve	PE
O-ring	NBR


### Technical Features:

Connection threads	M32x1.5 acc. to EN 60423
Temperature range	-20 °C up to +100 °C
Protection class	IP55 acc. to EN 60529
Surface	nickel plated

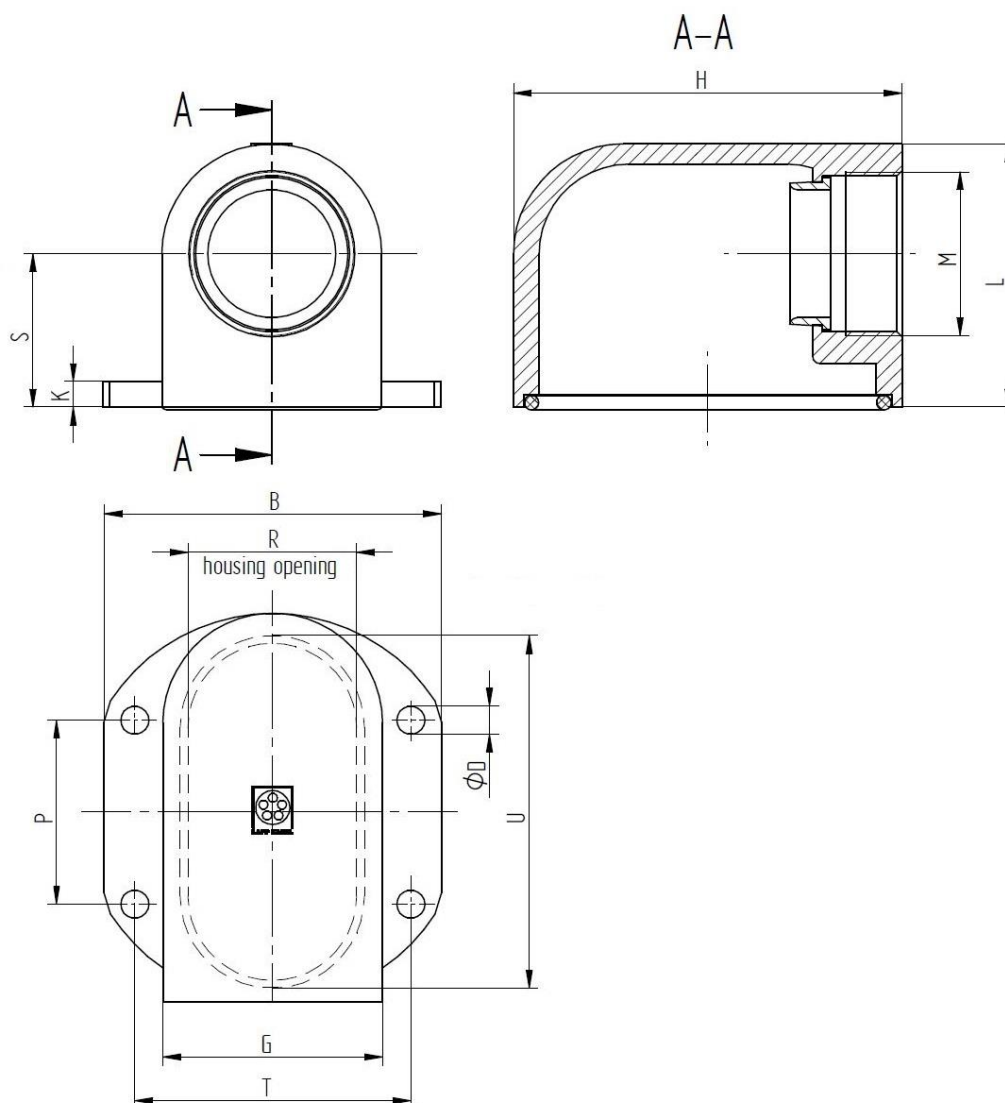
### Norm references:



Creator: STKU3 Released: DAMU1	Document: DB52108021EN Version: 00	Page 1 of 2
-----------------------------------	---------------------------------------	-------------

52108021	<b>DATA SHEET</b>	
Valid from: 07.04.2026	<b>SKINDICHT® SE-M without E+D</b>	

### SKINDICHT® SE-M without E+D M32x1.5



M	B [mm]	Ø D [mm]	G [mm]	H [mm]	K [mm]	L [mm]	P [mm]	R [mm]	S [mm]	T [mm]	U [mm]	Article No.
M32x1,5	66	5,5	43	76	5	51,5	36	33	30	54	66	52108021

For more information please see our current catalogue. Please do not hesitate to contact our laboratory if there are any questions regarding resistance against aggressive agents and special oil.

**Remark**

Photographs are not to scale and do not represent detailed images of the respective products.

Creator: STKU3 Released: DAMU1	Document: DB52108021EN Version: 00	Page 2 of 2
-----------------------------------	---------------------------------------	-------------