

53113300	DATA SHEET	
Valid from: 14.07.2025	SKINTOP® SOLAR / SKINTOP® SOLAR plus	

The SKINTOP® SOLAR / SKINTOP® SOLAR plus is a cable gland for photovoltaic application, based on EN 62444 und UL 1703.
Application range: photovoltaic plants and solar parks.



Suitable cable: ÖLFLEX® SOLAR
Suitable tools: SKINMATIC® RZ
SKINMATIC® QUICKSET 1

Components SKINTOP® SOLAR:

Gland body	Polycarbonate
Cap nut	Polycarbonate
Sealing ring	CR
Colour	RAL 9005 (black)

Components SKINTOP® SOLAR plus:

Gland body	Polycarbonate
Cap nut	Polycarbonate
Sealing ring	Silicone
O-Ring	Silicone
Colour	RAL 9005 (black / UV resistant)

Technical features:

Connecting thread	M12x1.5 and M16x1.5 acc. to EN 60423
Protection class / NEMA Type Rating	IP68 – 5 bar, test acc. to EN 60529 NEMA Type 1 and Type 12
Cold impact test	in acc. to UL 1703 / UL 746 C
Temperature range	SKINTOP® SOLAR -40°C up to +100°C SKINTOP® SOLAR plus -40°C up to +125°C

Other characteristics:

UV- und Ozone resistant
UL 746 – UL F1 outdoor use
High strain relief
Permanent vibration protection
Extremely flame retardant in acc. to UL 94V-0 / 94 5VA

Approvals:

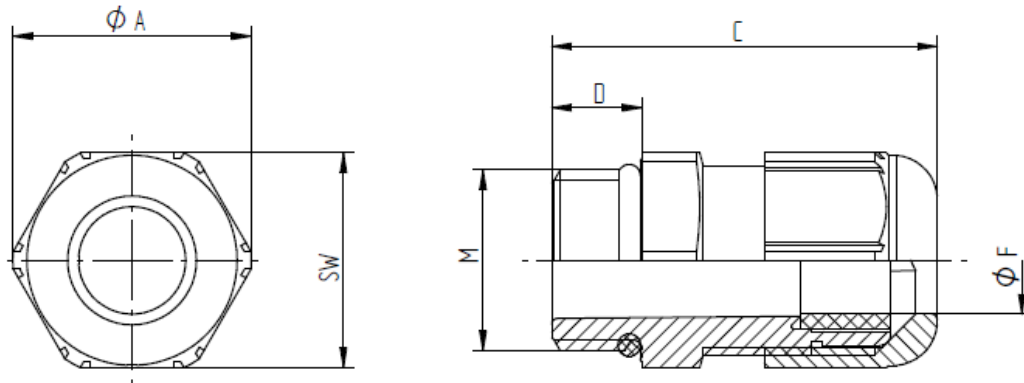

 UL File Nr. E79903
 (Test in acc. to UL514B)

Norm references:



Creator: MOME3/PDP Released: DAMU1/PDP	Document: DB53113300EN Version: 06	Page 1 of 2
---	---------------------------------------	-------------

53113300	DATA SHEET	
Valid from: 14.07.2025	SKINTOP® SOLAR / SKINTOP® SOLAR plus	



SKINTOP® SOLAR

M	SW [mm]	Ø A [mm]	C [mm]	D [mm]	Ø F [mm] Clamping range	Artikel-Nr.
M12x1,5	15	16,6	37,5	15	5,4-7,1	53113300
M16x1,5	19	21,1	34,0	8	7-9	53113310

SKINTOP® SOLAR plus

M	SW [mm]	Ø A [mm]	C [mm]	D [mm]	Ø F [mm] Clamping range	Artikel-Nr.
M12x1,5	15	16,6	37,5	15	5,4-7,1	53113321
M16x1,5	19	21,1	34,0	8	7-9	53113331

For more information please see our current catalogue. Please do not hesitate to contact our laboratory if there are any questions regarding resistance against aggressive agents and special oil.

Creator: MOME3/PDP Released: DAMU1/PDP	Document: DB53113300EN Version: 06	Page 2 of 2
---	---------------------------------------	-------------